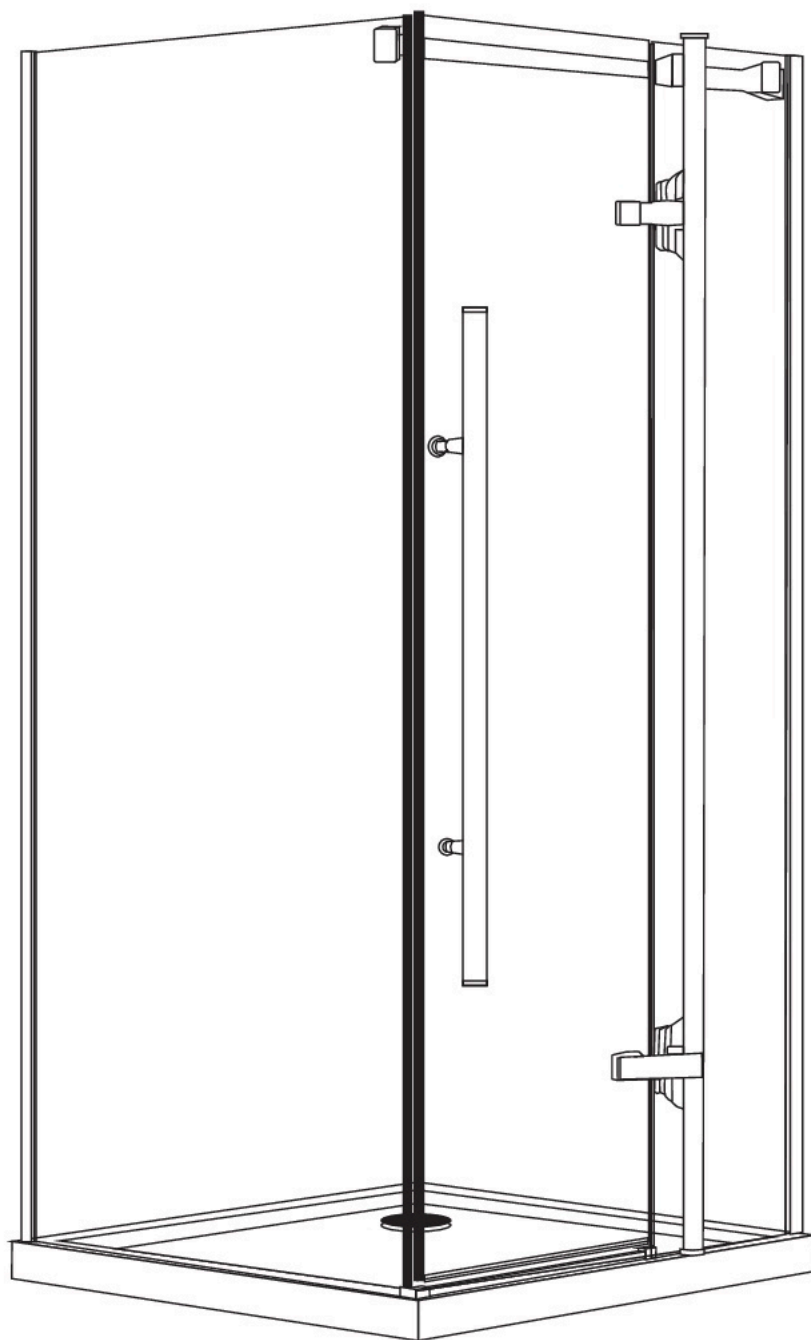


Инструкция по установке Grossman GR-6090



SIZE:80*80*205cm
SIZE:90*90*205cm

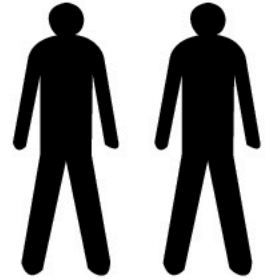
Grossman.su
продажа, установка
8(495)972-80-69

Installation instructions

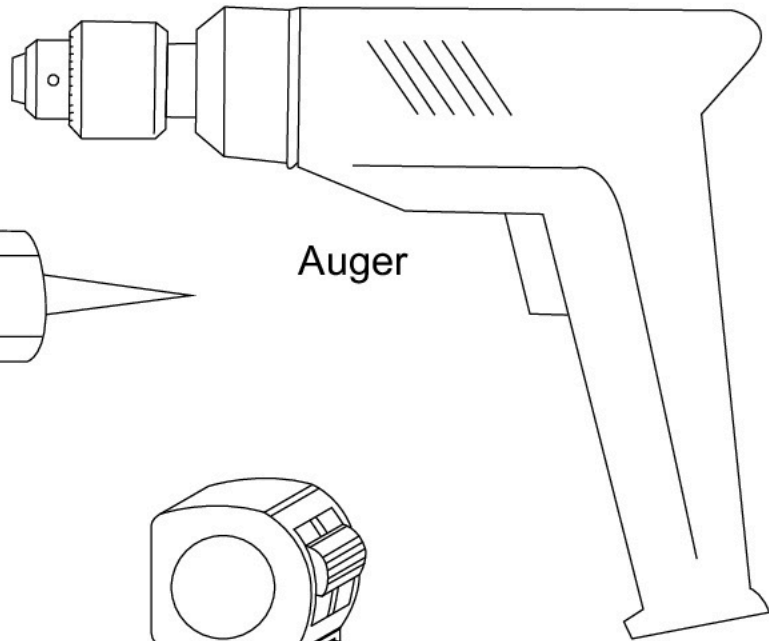
TOOLS REQUIRED (NOT SUPPLIED)

when you're ready to start, make sure that you have the following tools to hand, plenty of space and a clean dry area for assembly.

Two people are needed. Please note: although these instructions are comprehensive, We always recommend that a technically competent installer should undertake installation.

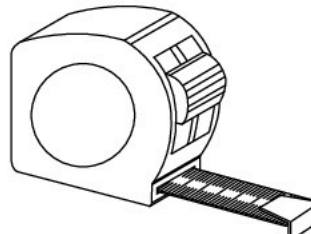
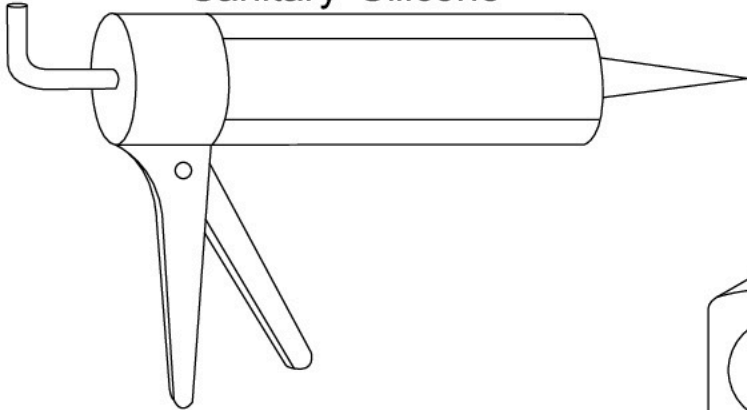


Drill beat head
5.5mm

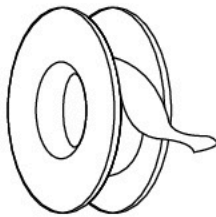


Auger

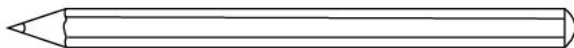
Sanitary Silicone



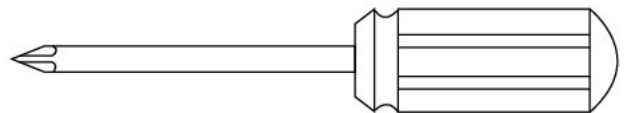
Tape measure



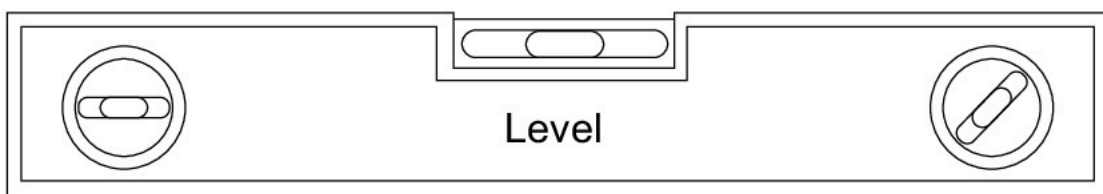
PTFE tape



Pencil














Magnetic crosshead screwdriver











Level




Installation instructions

Ref	Description	Illustration	Qty
A	Left Fixed Door		1
B	Right Fixed Door		1
C	Sliding Door		1
D	Wall profile		2
E	Rod		1
F	Handle		1

Ref	Description	Illustration	Qty
G	Studdle		1
H	Aluminum stay		1
I	Rubber seal		1
J	Bottom Rubber seal		1
K	Magnetic Seal		1

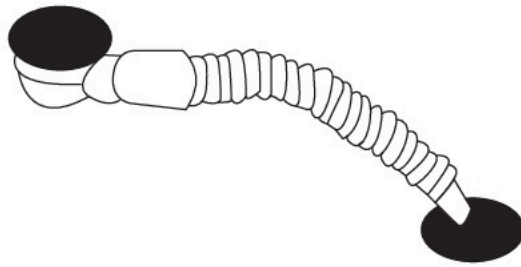
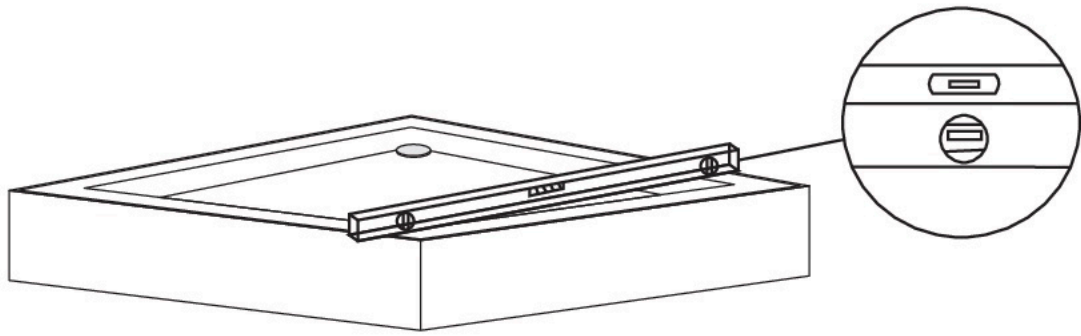
Fittings Supplied

Ref	Description	Illustration	Qty
A1	6*30mm WALL PLUG		8
B1	SCREW: 5x35mm		8
C1	8*40mm WALL PLUG		1
D1	SCREW: 6x35mm		1
E1	CORNER GLASS CLIP		1
F1	GLASS CLIP		1
G1	ROUND HEAD SCREW : 4x25mm		2
H1	8*35mm WALL PLUG		2

Ref	Description	Illustration	Qty
I1	DRILL BIT 3mm		1
J1	ALLEN KEY 2.5mm		1
K1	ALLEN KEY 3mm		1

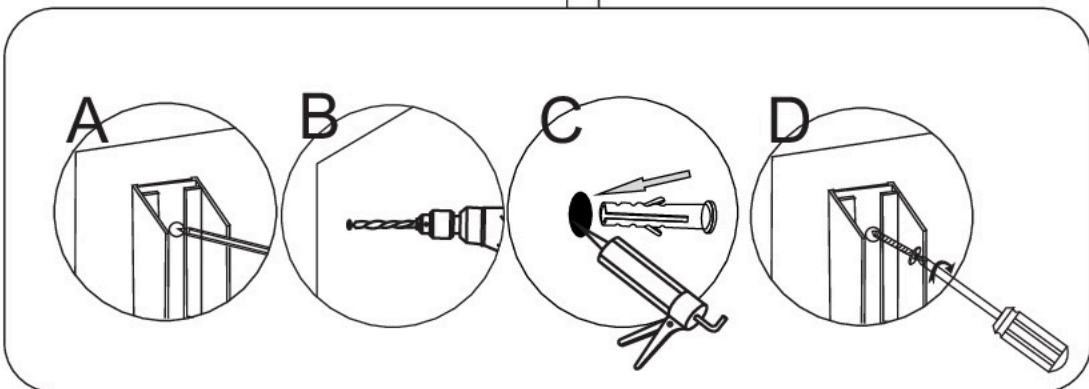
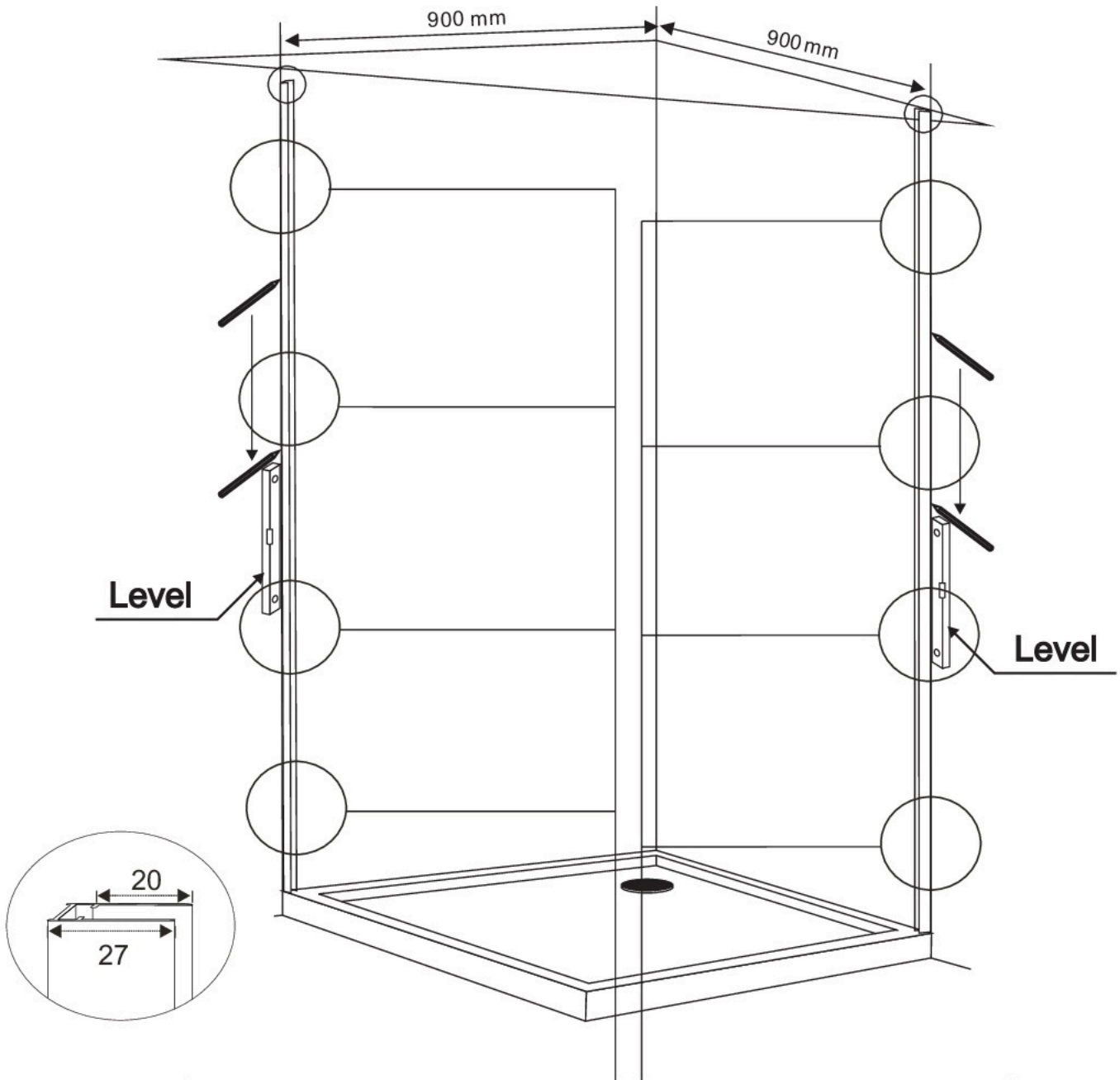
Grossman.su
 продажа, установка
 8(495)972-80-69

Installation instructions

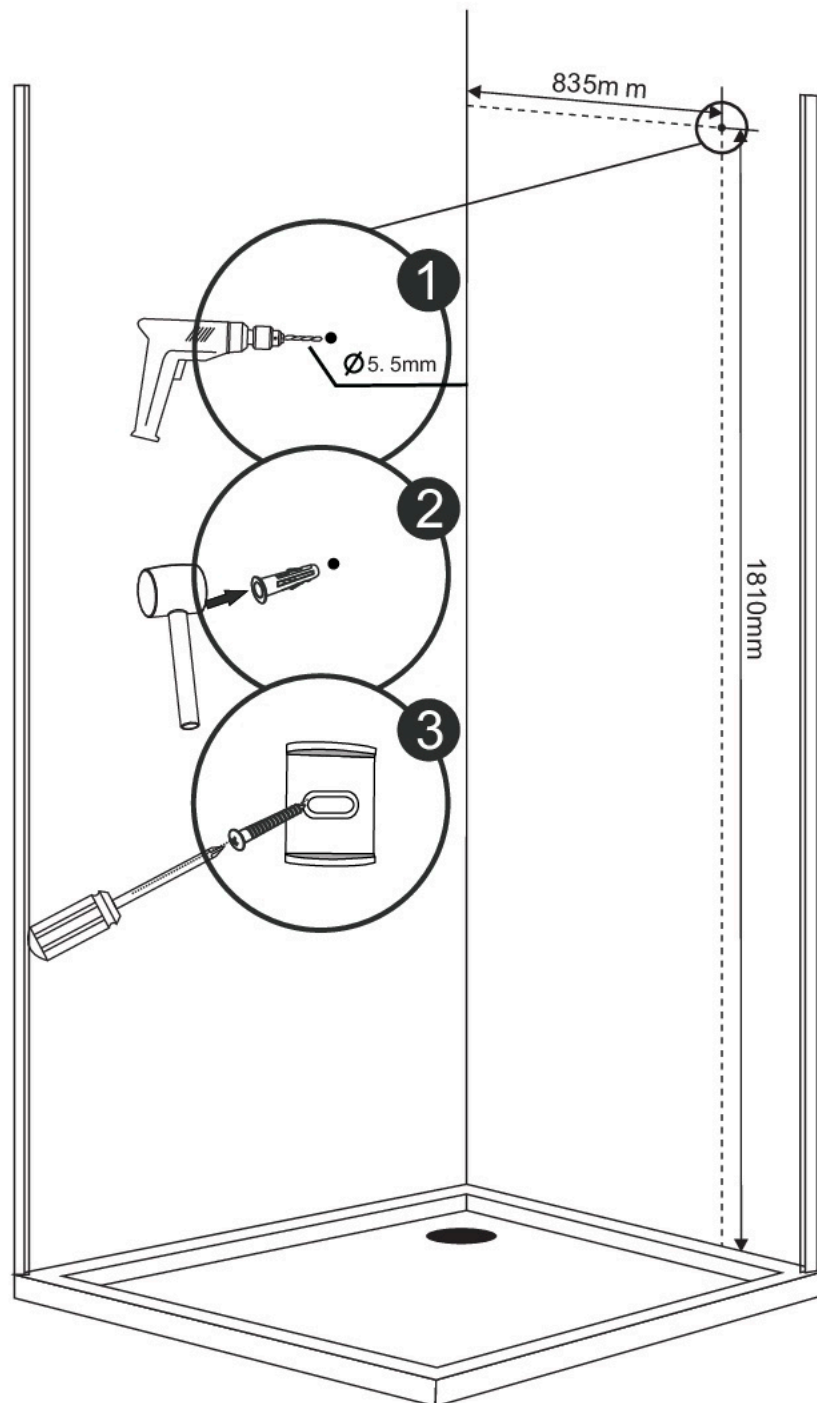


Lift the rear part of bottom basin, and then insert one end of the pipe into the drainage hole

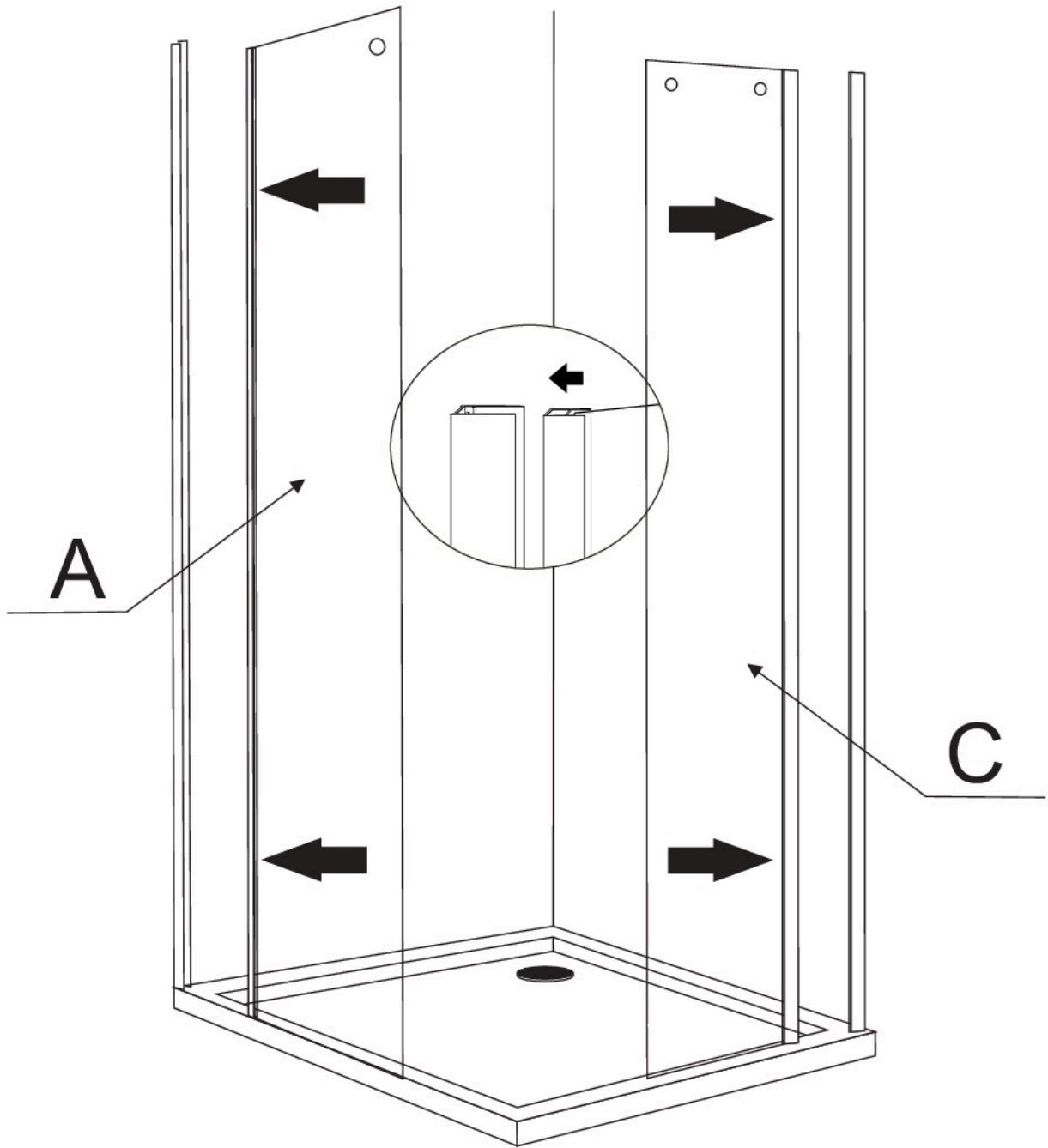
Installation instructions



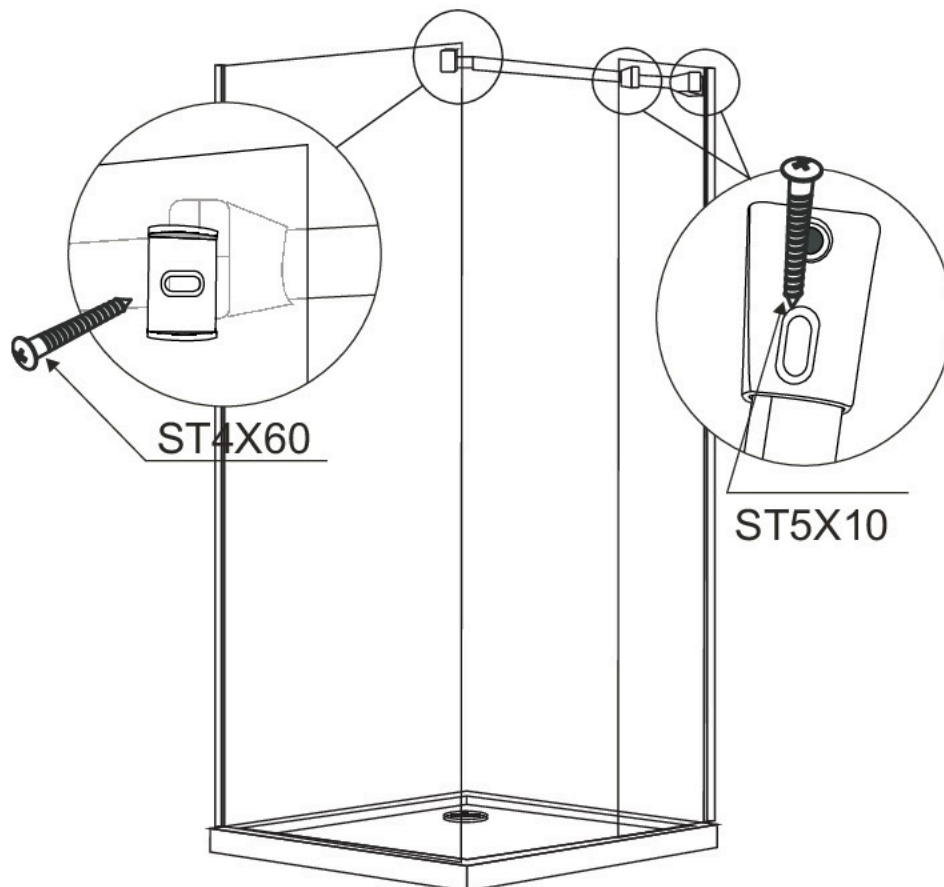
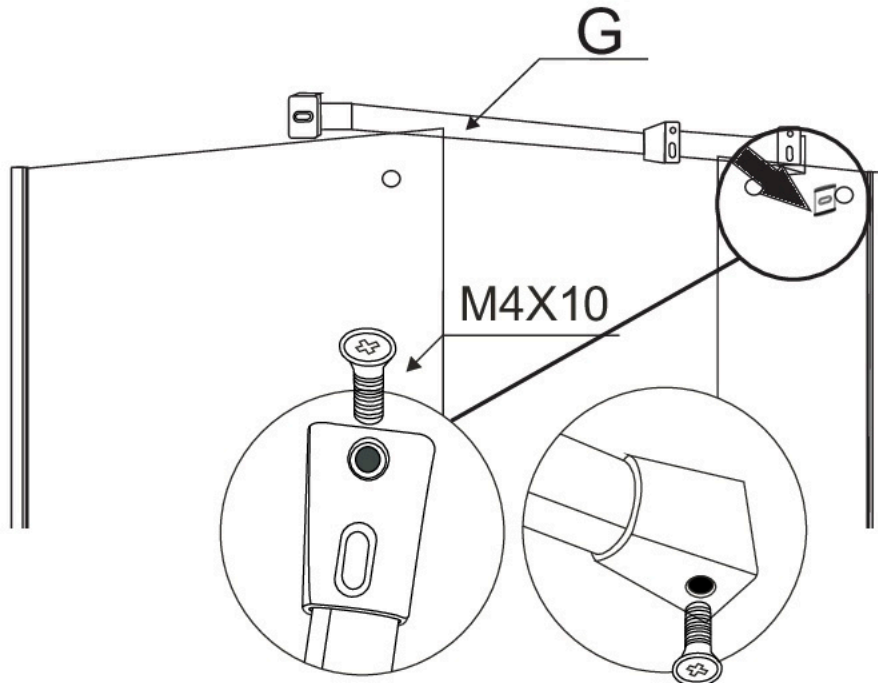
Installation instructions



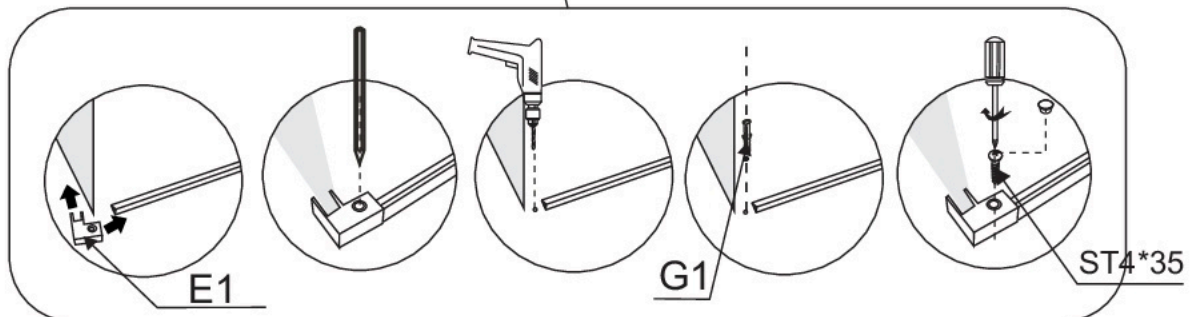
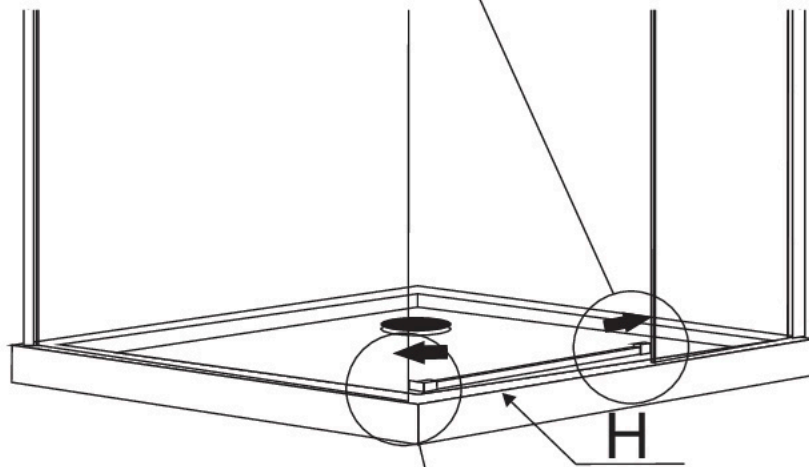
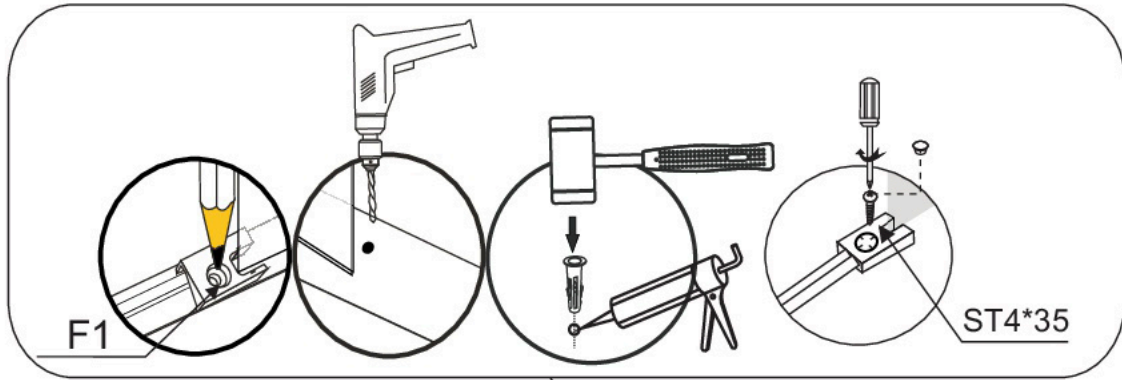
Installation instructions



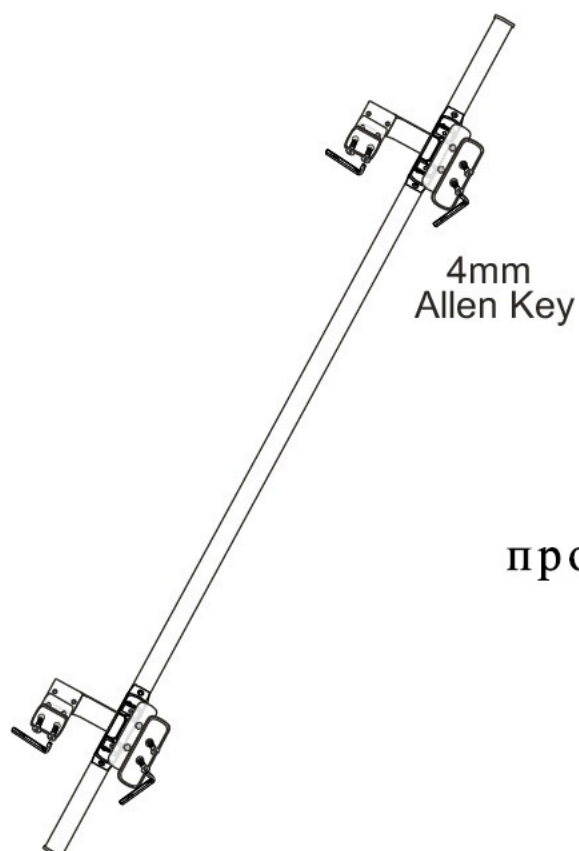
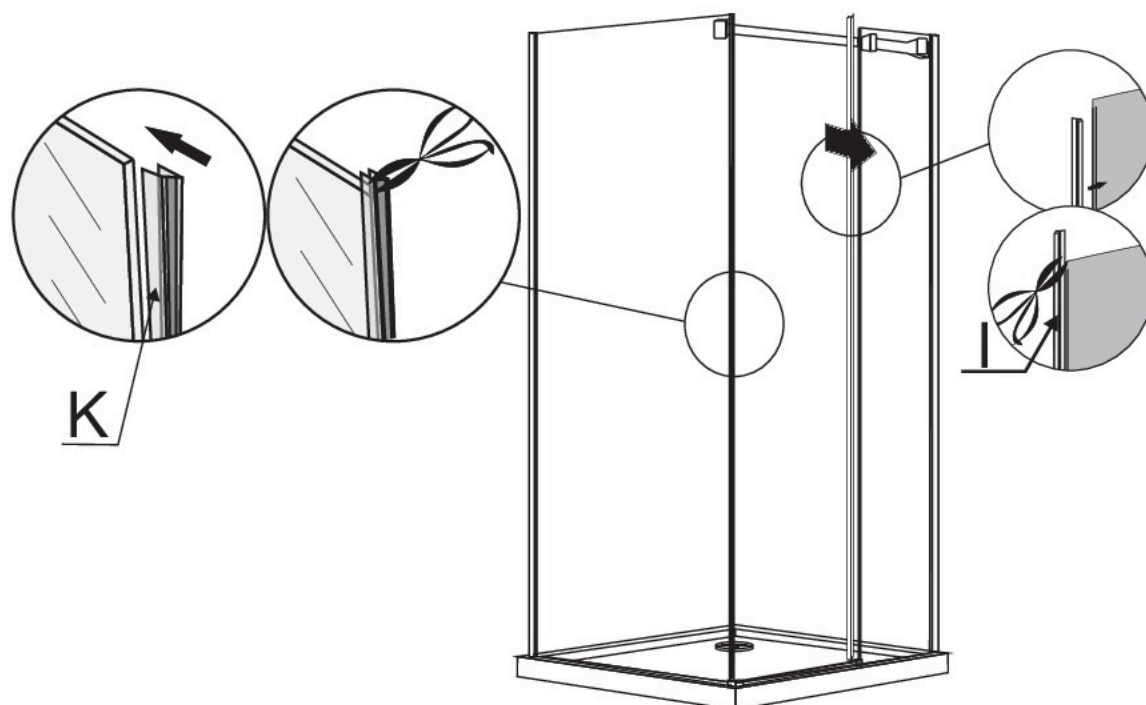
Installation instructions



Installation instructions

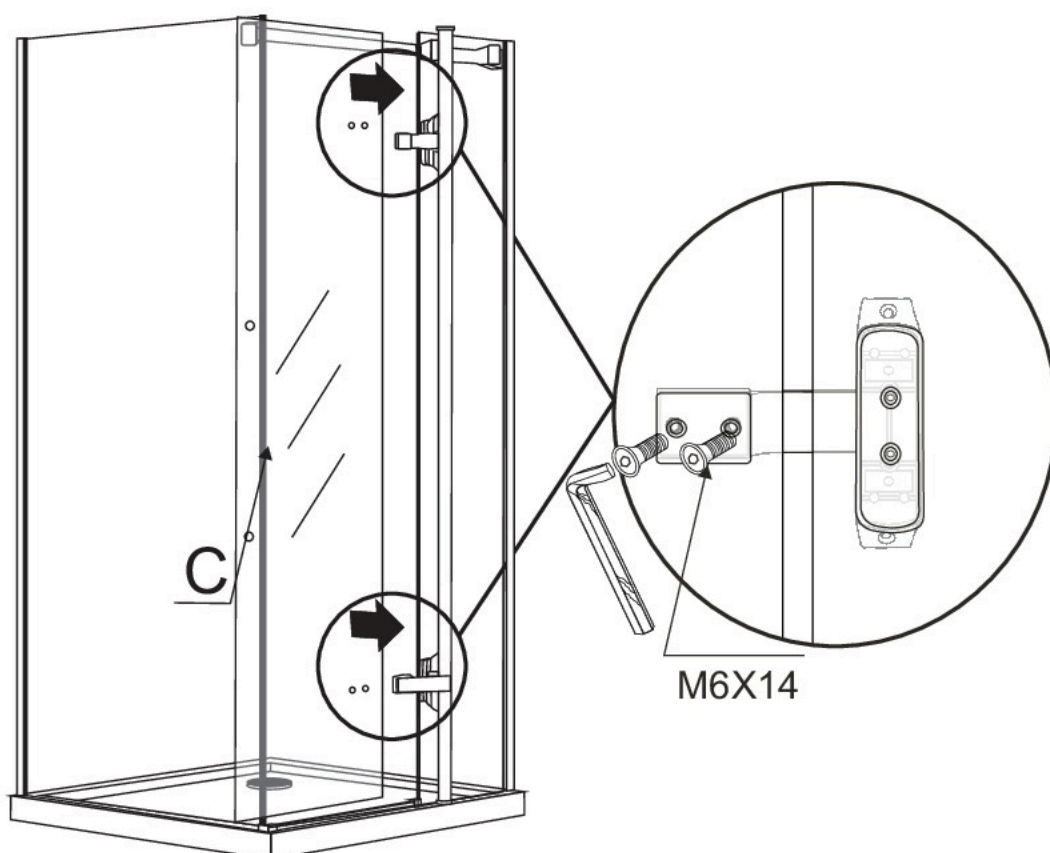
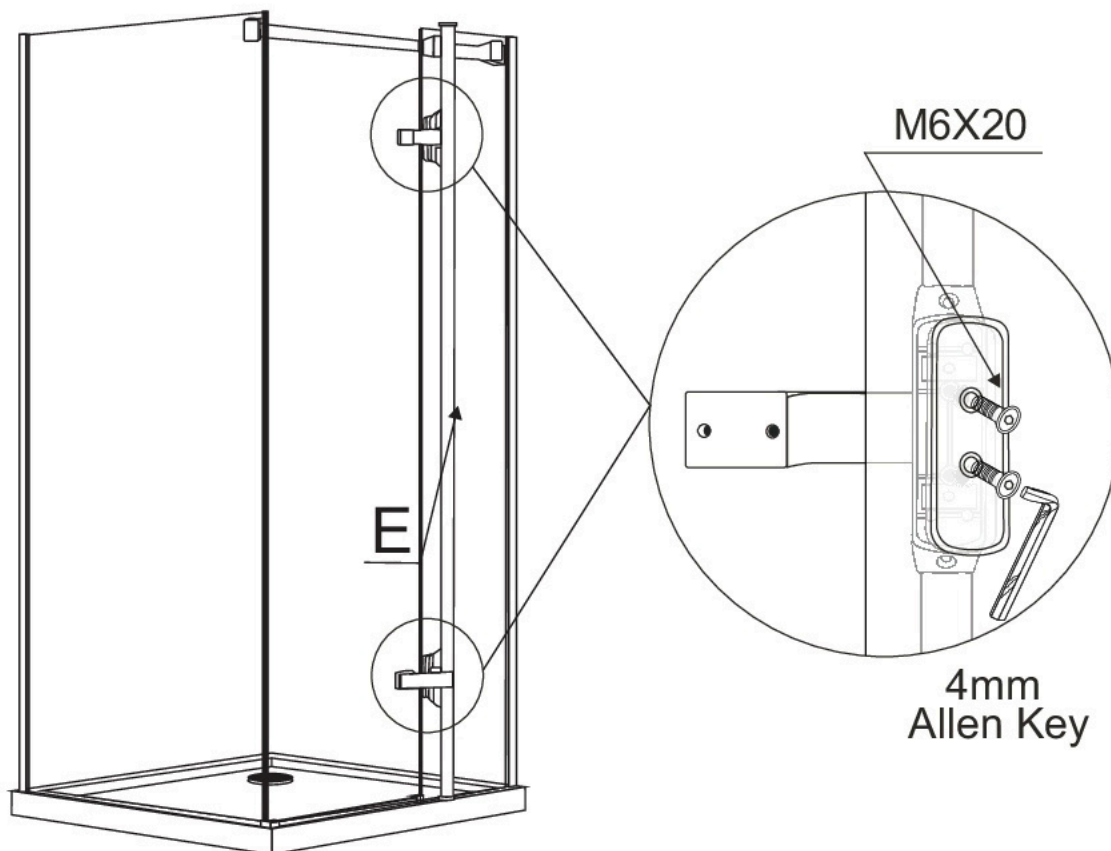


Installation instructions

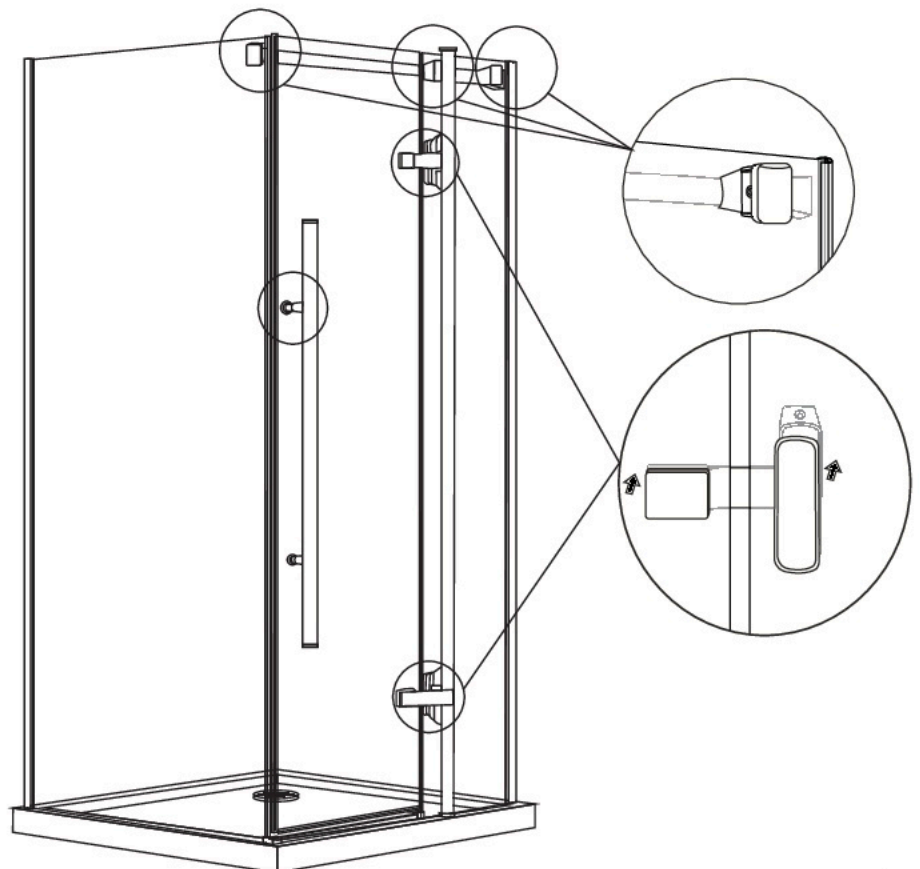
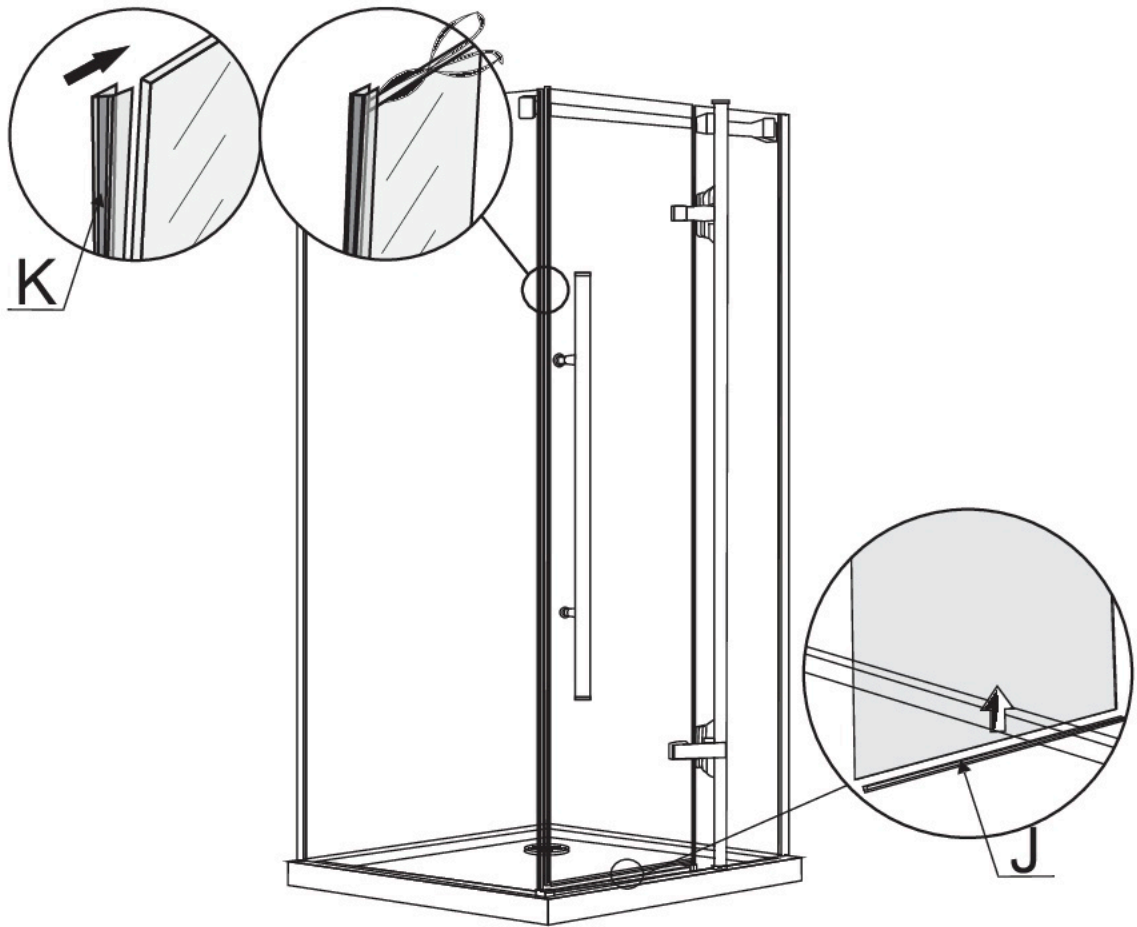


Grossman.su
продажа, установка
8(495)972-80-69

Installation instructions



Installation instructions



Installation instructions

